

3547860 FERRANTI ELECTRIC INC

95D 06051 D

8-bit μ P compatible A-D converter

T-51-10-08
ZN447 ZN448
ZN449

FEATURES

- Easy interfacing to microprocessor, or operates as a 'stand-alone' converter
- Fast: 9 μ s conversion time guaranteed
- Choice of linearity: 0.3LSB - ZN447, 1/2LSB - ZN448, 1LSB - ZN449
- On-chip clock
- Choice of on-chip or external reference voltage
- Unipolar or bipolar input ranges
- Choice of commercial or military temperature range
- Available in SO-18 (see section 6)

DESCRIPTION

The ZN447, ZN448 and ZN449 are 8-bit, successive approximation A-D converters designed for easy interfacing to microprocessors. All active circuitry is contained on-chip including a clock generator and stable 2.5V bandgap reference.

Only a reference resistor and capacitor, clock resistor and capacitor and input resistors are required for operation with either unipolar or bipolar input voltages. The ZN447, 8 and 9 are the most complete 8-bit monolithic ADCs available.

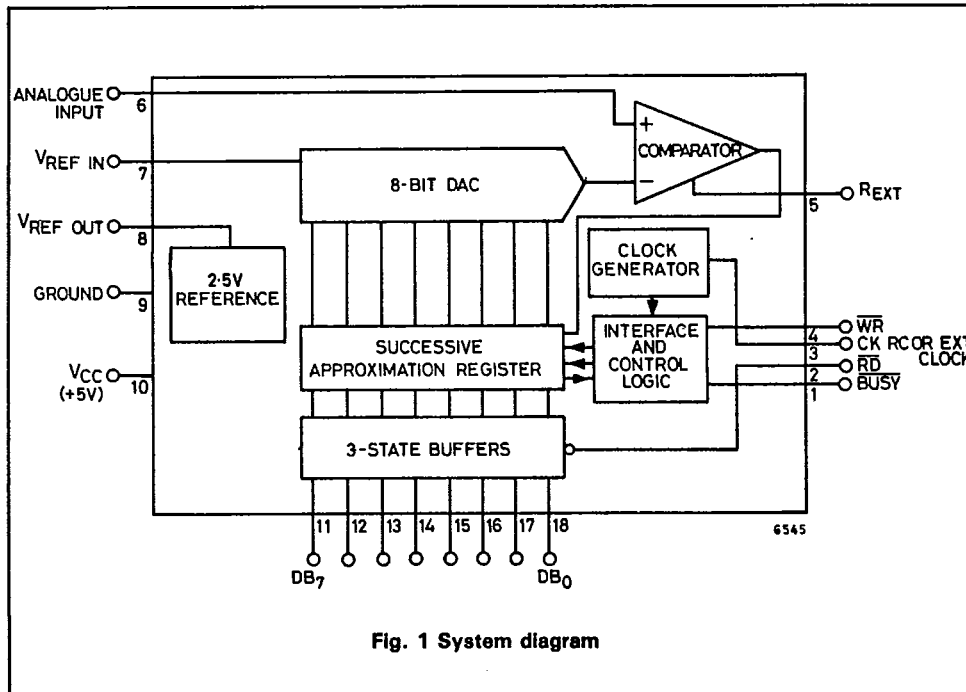


Fig. 1 System diagram

3547860 FERRANTI ELECTRIC INC

95D 06052 D

ZN447 ZN448 ZN449

T-51-10-08

ABSOLUTE MAXIMUM RATINGS

Supply voltage V_{CC}	+7.0V
Max. voltage, logic and V_{REF} inputs	+ V_{CC}
Operating temperature range	0 to +70°C ('E' package) -55 to +125°C ('J' package)
Storage temperature range	-55 to +125°C

ELECTRICAL CHARACTERISTICS ($V_{CC} = +5V$, $T_{amb} = 25^\circ C$, $f_{CLK} = 900kHz$, unless otherwise specified).

Parameter	Min.	Typ.	Max.	Units	Conditions
ZN447					
Linearity error	-	-	± 0.3	LSB	
Differential linearity error	-	-	$\pm \frac{1}{2}$	LSB	
Zero transition	13.5	15	16.5	mV	Moulded 'E' package
00000000→00000001)	15	16.5	18	mV	Ceramic 'J' package
Full-scale transition	2.548	2.550	2.552	V	$V_{REF} = 2.560V$
(11111110→11111111)					
ZN448					
Linearity error	-	-	$\pm \frac{1}{2}$	LSB	
Differential linearity error	-	-	$\pm \frac{1}{4}$	LSB	
Zero transition	12	15	18	mV	Moulded 'E' package
(00000000→00000001)	13	16.5	20	mV	Ceramic 'J' package
Full-scale transition	2.545	2.550	2.555	V	$V_{REF} = 2.560V$
(11111110→11111111)					
ZN449					
Linearity error	-	-	± 1	LSB	
Differential linearity error	-	-	± 1	LSB	
Zero transition	10	15	20	mV	Moulded 'E' package
(00000000→00000001)	11.5	16.5	21.5	mV	Ceramic 'J' package
Full-scale transition	2.542	2.550	2.558	V	$V_{REF} = 2.560V$
(00000000→11111111)					
All types					
Resolution	8	-	-	bits	
Linearity temperature coefficient	-	± 3	-	ppm/°C	
Differential linearity temperature coefficient	-	± 6	-	ppm/°C	
Full-scale temperature coefficient	-	± 2.5	-	ppm/°C	
Zero temperature coefficient	-	± 8	-	$\mu V/^\circ C$	
Reference input range	1	-	3	V	
Supply voltage	4.5	5	5.5	V	
Supply current	-	25	40	mA	
Power consumption	-	125	-	mW	

3547860 FERRANTI ELECTRIC INC

95D 06053 D

ZN447 ZN448 ZN449

T-51-10-08

ELECTRICAL CHARACTERISTICS (Cont.)

Parameter	Min.	Typ.	Max.	Units	Conditions
Comparator					
Input current	-	1	-	μA	$V_{\text{IN}} = +3\text{V}, R_{\text{EXT}} = 82\text{k}\Omega$
Input resistance	-	100	-	$\text{k}\Omega$	
Tail current	25	65	150	μA	$V_{-} = -5\text{V}$
Negative supply	-3	-5	-30	V	
Input voltage	-0.5	-	+3.5	V	
On-chip reference					
Output voltage ZN447	2.520	2.550	2.580		$R_{\text{REF}} = 390\Omega$
ZN448	2.520	2.550	2.580	V	
ZN449	2.500	2.550	2.600		$C_{\text{REF}} = 4\mu\text{7}$
Slope resistance	-	0.5	2	Ω	
V_{REF} temperature coefficient	-	50	-	ppm/ $^{\circ}\text{C}$	
Reference current	4	-	15	mA	
Clock					
On-chip clock frequency	-	-	1	MHz	
Clock frequency temperature coefficient	-	+0.5	-	%/ $^{\circ}\text{C}$	
Clock resistor	-	-	2	$\text{k}\Omega$	
Maximum external clock frequency	0.9	-	1	MHz	
Clock pulse width	500	-	-	ns	
High level input voltage V_{IH}	4	-	-	V	
Low level input voltage V_{IL}	-	-	0.8	V	
High level input current I_{IH}	-	-	800	μA	$V_{\text{IN}} = +4\text{V}, V_{\text{CC}} = \text{MAX}$
Low level input current I_{IL}	-	-	-500	μA	$V_{\text{IN}} + 0.8\text{V}, V_{\text{CC}} = \text{MAX}$
Logic (over operating temperature range)					
Convert input					
High level input voltage V_{IH}	2	-	-	V	
Low level input voltage V_{IL}	-	-	0.8	V	
High level input current I_{IH}	-	300	-	μA	$V_{\text{IN}} = +2.4\text{V}, V_{\text{CC}} = \text{MAX}$
Low level input current I_{IL}	-	± 10	-	μA	$V_{\text{IN}} = +0.4\text{V}, V_{\text{CC}} = \text{MAX}$
$\overline{\text{RD}}$ input					
High level input voltage V_{IH}	2	-	-	V	
Low level input voltage V_{IL}	-	-	0.8	V	
High level input current I_{IH}	-	+150	-	μA	$V_{\text{IN}} = +2.4\text{V}, V_{\text{CC}} = \text{MAX}$
Low level input current I_{IL}	-	-300	-	μA	$V_{\text{IN}} = +0.4\text{V}, V_{\text{CC}} = \text{MAX}$

3547860 FERRANTI ELECTRIC INC

95D 06054 D

ZN447 ZN448 ZN449

T-51-10-08

ELECTRICAL CHARACTERISTICS (Cont.)

Parameter	Min.	Typ.	Max.	Units	Conditions
High level output voltage V_{OH}	2.4	-	-	V	$I_{OH} = \text{MAX}, V_{CC} = \text{MIN}$
Low level output voltage V_{OL}	-	-	0.4	V	$I_{OL} = \text{MAX}, V_{CC} = \text{MIN}$
High level output current I_{OH}	-	-	-100	μA	
Low level output current I_{OL}	-	-	1.6	mA	
Three-state disable output leakage	-	-	2	μA	$V_{OUT} = +2V$
Input clamp diode voltage	-	-	-1.5	V	
\overline{RD} input to data output	-	180	250	ns	
Enable/disable delay times T_{E1}	180	210	260	ns	
T_{E0}	60	80	100	ns	
T_{D1}	80	110	140	ns	
T_{D0}	60	80	100	ns	
Convert pulse width t_{WR}	200	-	-	ns	
WR input to \overline{BUSY} output	-	-	250	ns	

GENERAL CIRCUIT OPERATION

The ZN447 utilises the successive approximation technique. Upon receipt of a negative-going pulse at the WR input the \overline{BUSY} output goes low, the MSB is set to 1 and all other bits are set to 0, which produces an output voltage of $V_{REF}/2$ from the DAC. This is compared to the input voltage V_{IN} ; a decision is made on the next negative clock edge to reset the MSB to 0 if $\frac{V_{REF}}{2} > V_{IN}$ or leave it set to 1 if $\frac{V_{REF}}{2} < V_{IN}$. Bit 2 is set to 1 on the same clock edge, producing an output from the DAC of $\frac{V_{REF}}{4}$ or $\frac{V_{REF}}{2} + \frac{V_{REF}}{4}$ depending on the state of

the MSB. This voltage is compared to V_{IN} and on the next clock edge a decision is made regarding bit 2, whilst bit 3 is set to 1. This procedure is repeated for all eight bits. On the eighth negative clock edge \overline{BUSY} goes high indicating that the conversion is complete.

During a conversion the \overline{RD} input will normally be held high to keep the three-state buffers in their high impedance state. Data can be read out by taking \overline{RD} low, thus enabling the three-state outputs. Readout is non-destructive.

3547860 FERRANTI ELECTRIC INC

95D 06055 D

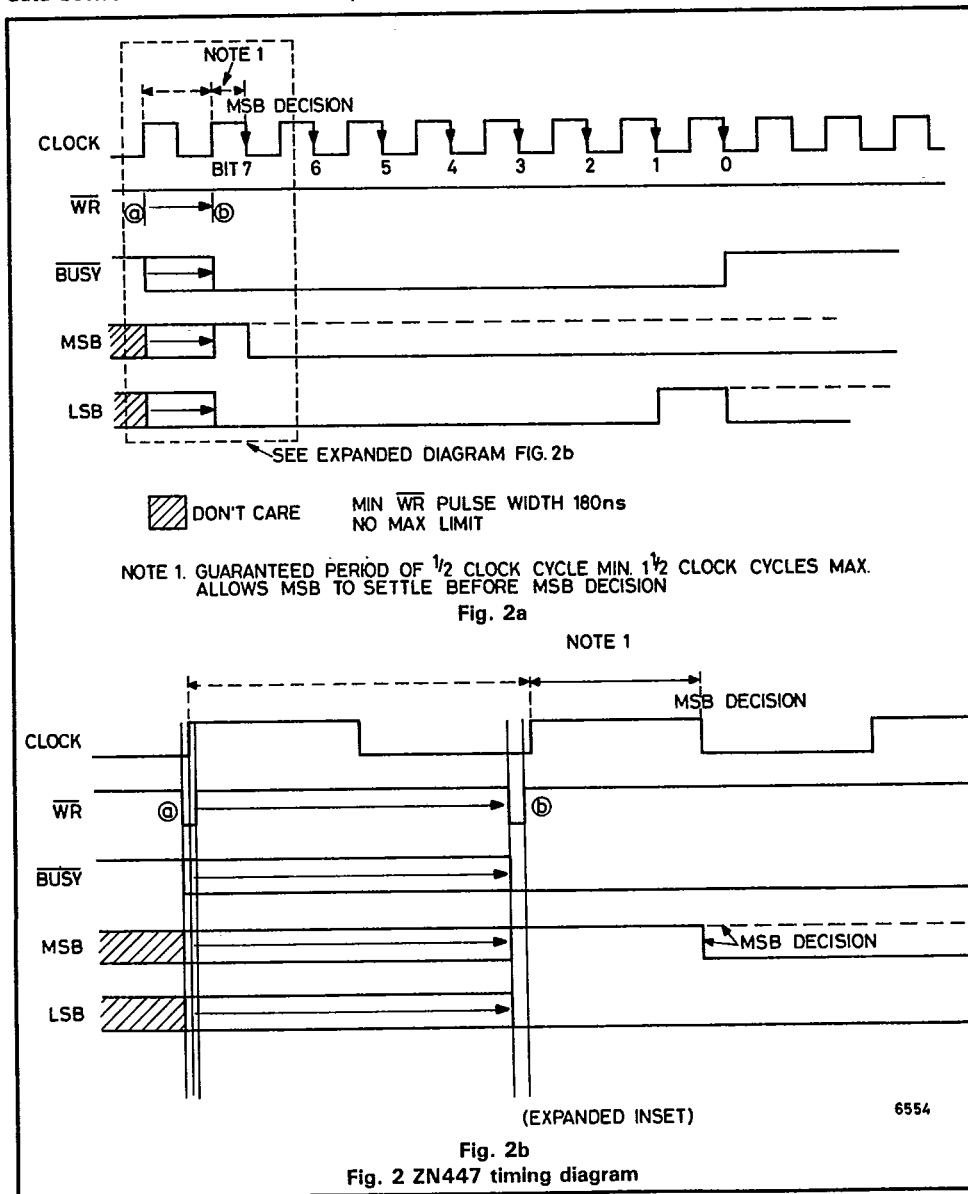
ZN447 ZN448 ZN449

T-51-10-08

CONVERSION TIMING

The ZN447 will accept a low-going CONVERT pulse, which can be completely asynchronous with respect to the clock, and will produce valid data between $7\frac{1}{2}$ and $8\frac{1}{2}$ clock pulses later

depending on the relative timing of the clock and CONVERT signals. Timing diagrams for a conversion are shown in Fig. 2.



3547860 FERRANTI ELECTRIC INC

95D 06056 D

ZN447 ZN448 ZN449

T-51-10-08

The converter is cleared by a low-going CONVERT pulse, which sets the most significant bit and resets all the other bits and the BUSY flag. Whilst the CONVERT input is low the MSB output of the DAC is continuously compared with the analogue input, but otherwise the converter is inhibited.

After the CONVERT input goes high again the MSB decision is made and the successive approximation routine runs to completion.

The CONVERT pulse can be as short as 200ns; however the MSB must be allowed to settle for at least 550ns before the MSB decision is made. To ensure that this criterion is met even with short CONVERT pulses the converter waits, after the CONVERT input goes high, for a rising clock edge followed by a falling clock edge, the MSB decision being taken on the falling clock edge. This ensures that the MSB is allowed to settle for at least half a clock period, or 550ns at maximum clock frequency. The CONVERT input is not locked out during a conversion and if it is pulsed low at any time the converter will restart.

The $\overline{\text{BUSY}}$ output goes high simultaneously with the LSB decision, at the end of a conversion indicating data valid. Note that if the three-state data outputs are enabled during a conversion the

valid data will be available at the outputs after the rising edge of the BUSY signal. If, however, the outputs are not enabled until after BUSY goes high then the data will be subject to the propagation delay of the three-state buffers. (See under DATA OUTPUTS).

CONTINUOUS CONVERSION

If a free-running conversion is required then the converter can be made to cycle by inverting the BUSY output and feeding it to the CONVERT input. To ensure that the converter starts reliably after power up an initial start pulse is required. This can be ensured by using a NOR gate instead of an inverter and feeding it with a positive going pulse which can be derived from a simple RC network that gives a single pulse when power is applied, as shown in Fig. 3a.

The ADC will complete a conversion on every eighth clock pulse, with the $\overline{\text{BUSY}}$ output going high for a period determined by the propagation delay of the NOR gate, during which time the data can be stored in a latch. The time available for storing data can be increased by inserting delays into the inverter path.

A timing diagram for the continuous conversion mode is shown in Fig. 3b.

3547860 FERRANTI ELECTRIC INC

95D 06057 D

ZN447 ZN448 ZN449

T.51-10-08

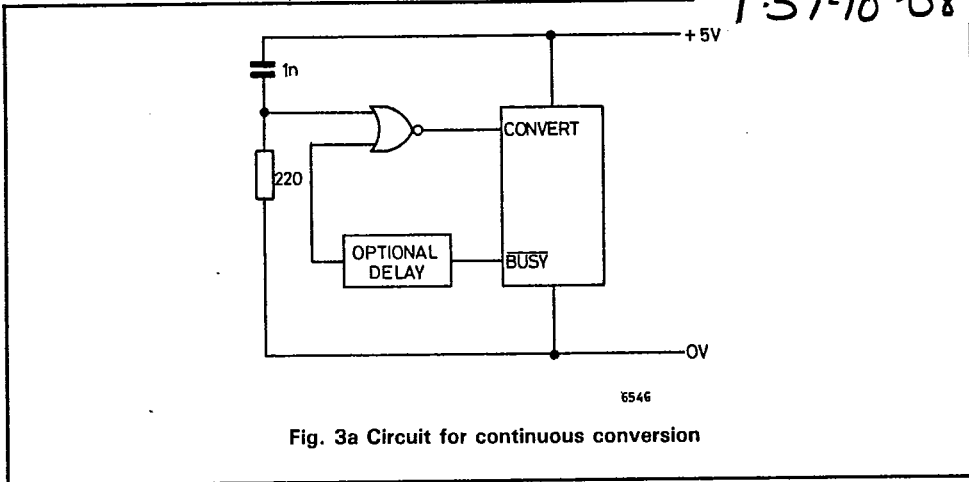


Fig. 3a Circuit for continuous conversion

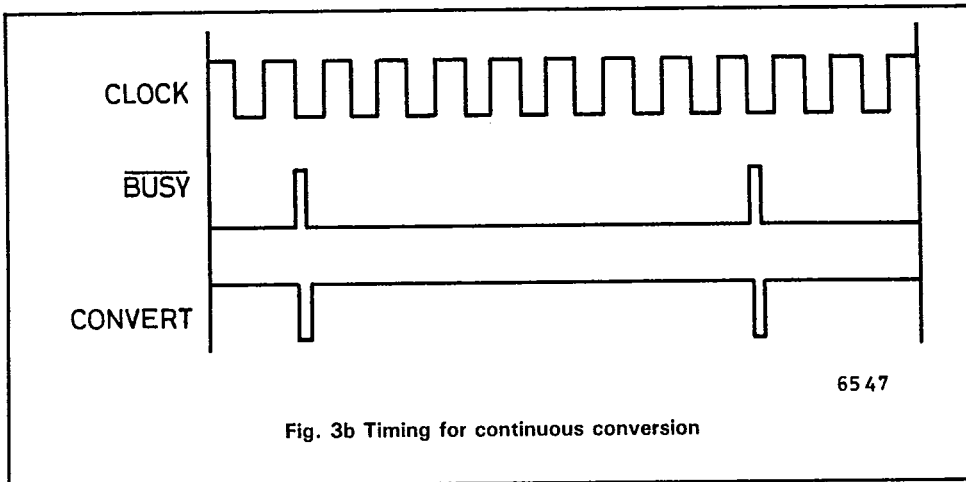


Fig. 3b Timing for continuous conversion

As the $\overline{\text{BUSY}}$ output uses a passive pull-up the rise time of this output depends on the RC time constant of the pull-up resistor and load capacitance. In the continuous conversion mode the use of a 4k7 external pull-up resistor is recommended to reduce the risetime and ensure that a logic 1 level is reached.

DATA OUTPUTS

The data outputs are provided with three-state

buffers to allow connection to a common data bus. An equivalent circuit is shown in Fig. 4. Whilst the $\overline{\text{RD}}$ input is high both output transistors are turned off and the ZN447 presents only a high impedance load to the bus. When $\overline{\text{RD}}$ is low the data outputs will assume the logic states present at the outputs of the successive register.

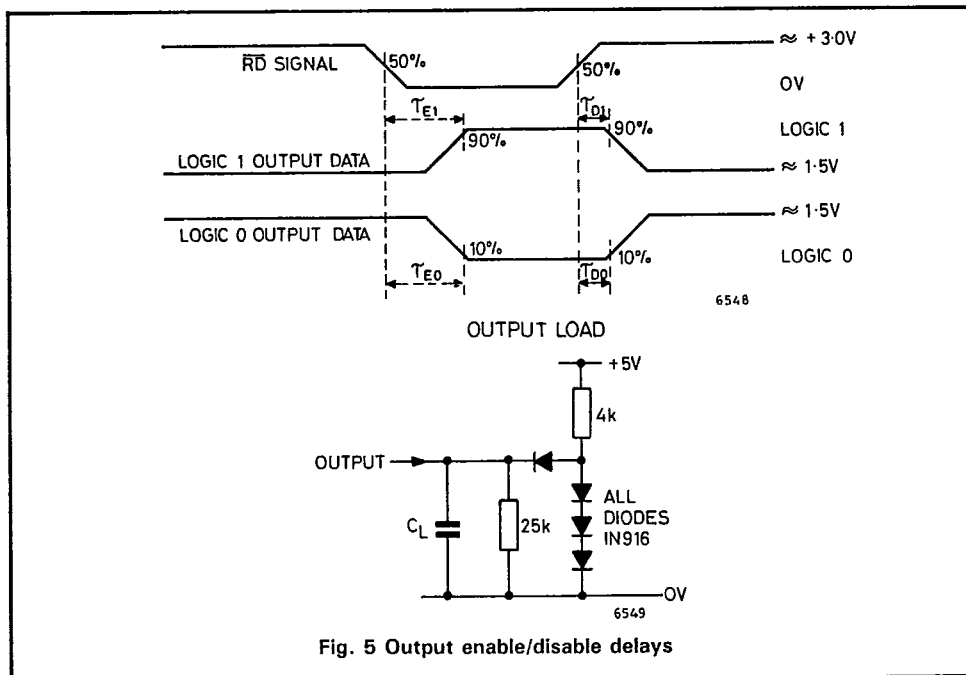
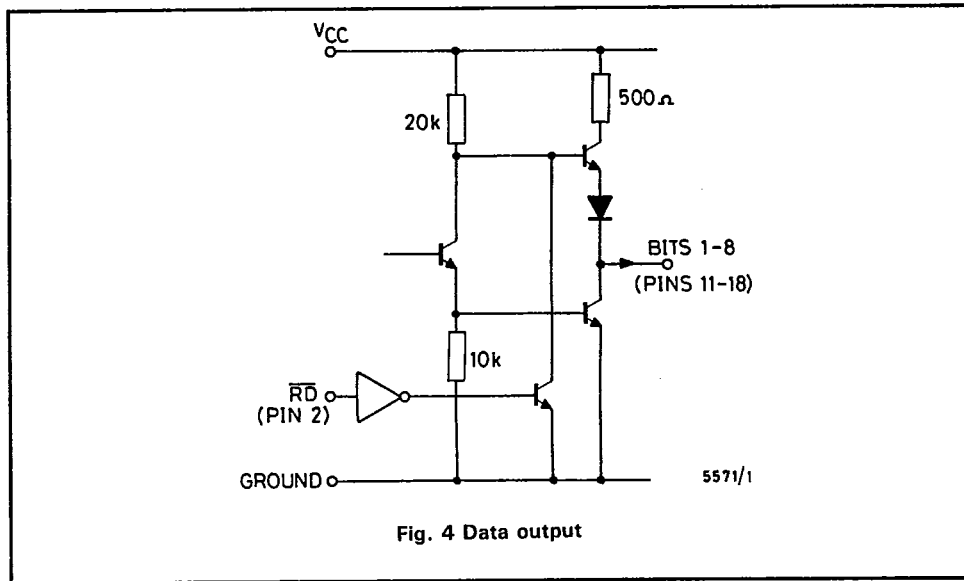
A test circuit and timing diagram for the output enable/disable delays are given in Fig. 5.

3547860 FERRANTI ELECTRIC INC

95D 06058 D

ZN447 ZN448 ZN449

T 51-10-08



3547860 FERRANTI ELECTRIC INC

95D 06059 D

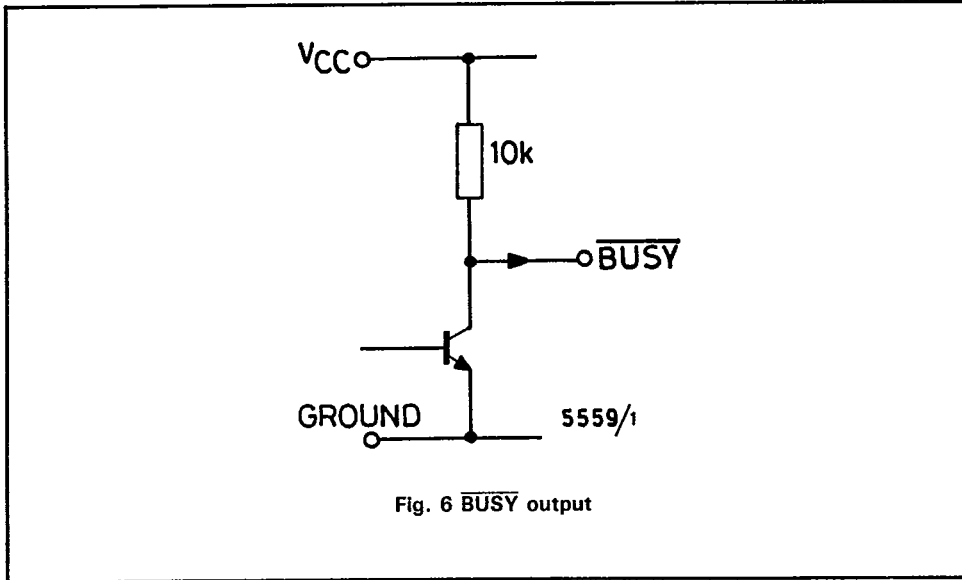
ZN447 ZN448 ZN449

T.SI-10-08

BUSY OUTPUT

The $\overline{\text{BUSY}}$ output, shown in Fig. 6, utilizes a passive pull-up for CMOS/TTL compatibility. This also allows up to four $\overline{\text{BUSY}}$ outputs to be

wire-ANDed together to form a common interrupt line.



ON-CHIP CLOCK

The on-chip clock operates with only a single external capacitor connected between pin 3 and ground as shown in Fig. 7a. A graph of typical oscillator frequency versus capacitance is given in Fig. 8. The oscillator frequency may be trimmed by means of an external resistor in series with the capacitor, as shown in Fig. 7b.

For optimum accuracy and stability of the oscillator frequency without trimming the use of a crystal or ceramic resonator is recommended, as shown in Fig. 7c. The final option is to overdrive the oscillator input with an external clock signal from a TTL or CMOS gate, as shown in Fig. 7d.

3547860 FERRANTI ELECTRIC INC

95D 06060 D

T-51-10-08

ZN447 ZN448 ZN449

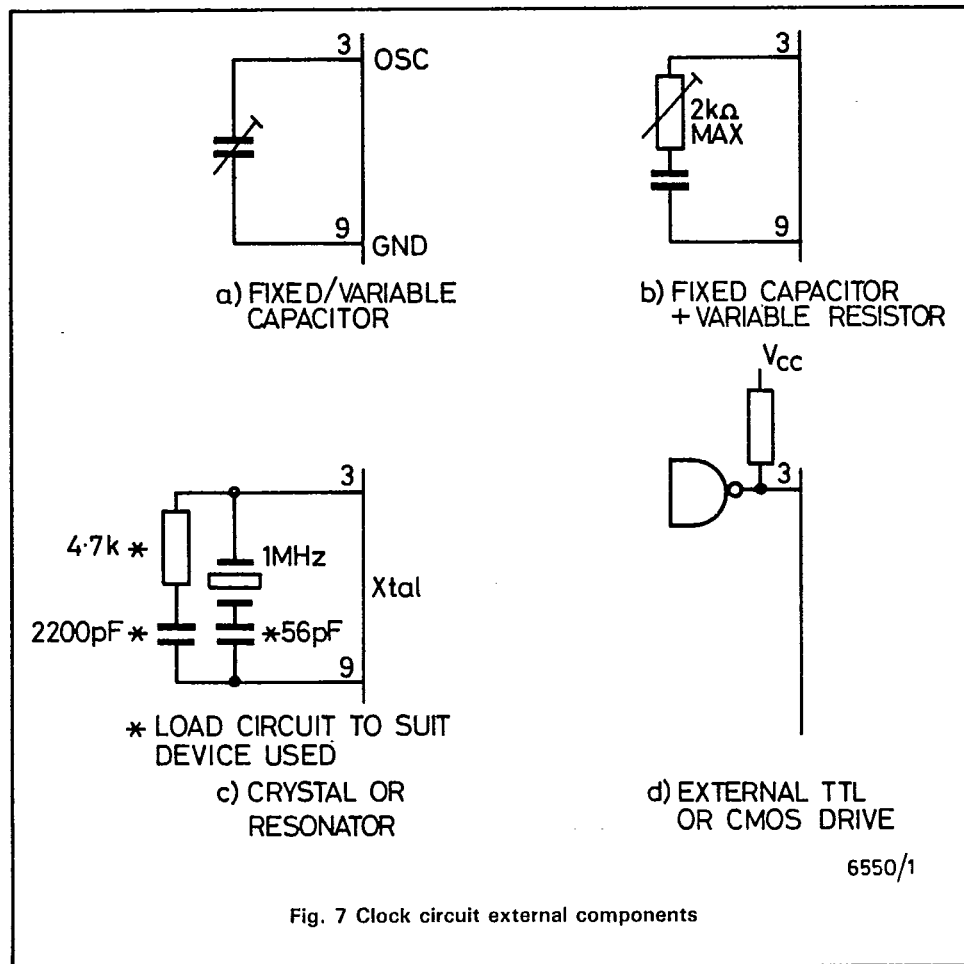


Fig. 7 Clock circuit external components

ZN447 ZN448 ZN449

T-51-10-08

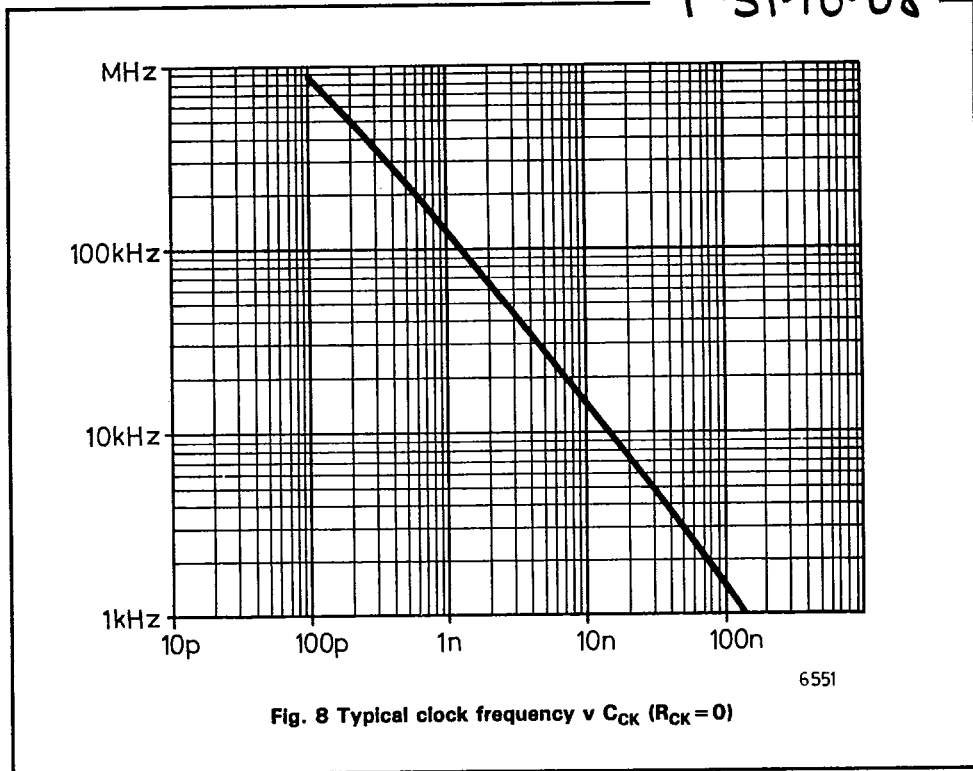


Fig. 8 Typical clock frequency v C_{CK} (R_{CK} = 0)

ANALOGUE CIRCUITS

D-A converter

The converter is of the voltage switching type and uses an R-2R ladder network as shown in Fig. 9. Each element is connected to either 0V or V_{REF IN} by transistor voltage switches specially designed for low offset voltage (1mV).

A binary weighted voltage is produced at the output of the R-2R ladder.

$$D \text{ to A output} = \frac{n}{256} (V_{REF IN} - V_{OS}) + V_{OS}$$

where n is the digital input to the D-A from the successive approximation register.

V_{OS} is a small offset voltage that is produced by the device supply current flowing in the package lead resistance. This offset will normally be removed by the setting up procedure and since the offset temperature coefficient is low (8μV/°C) the effect on accuracy will be negligible.

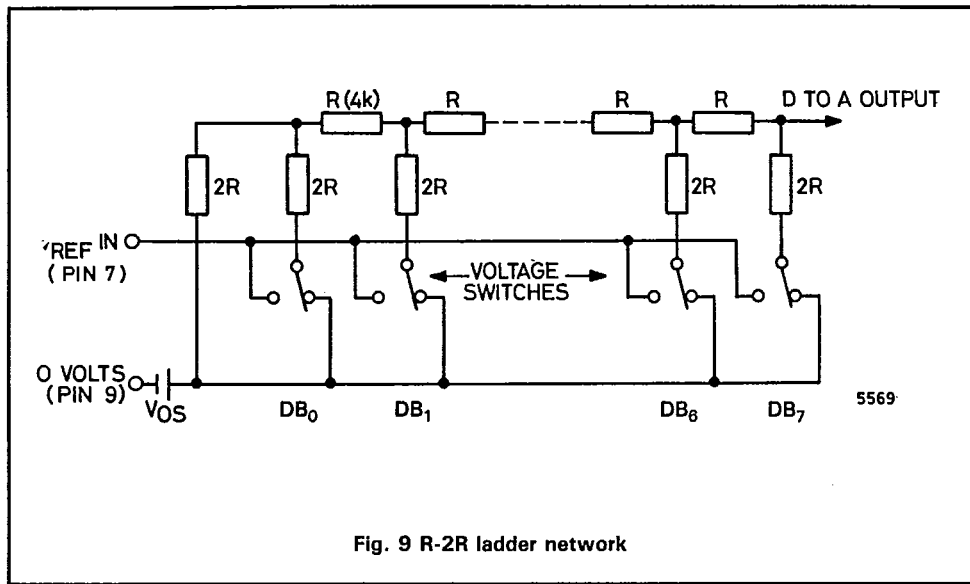
The D-A output range can be considered to be 0 - V_{REF IN} through an output resistance R (4k).

3547860 FERRANTI ELECTRIC INC

95D 06062 D

ZN447 ZN448 ZN449

T.SI-10.08



REFERENCE

(a) Internal reference

The internal reference is an active bandgap circuit which is equivalent to a 2.5V Zener diode with a very low slope impedance (Fig. 10). A resistor (R_{REF}) should be connected between pins 8 and 10.

The recommended value of 390Ω will supply a nominal reference current of $(5 - 2.5) / 0.39 = 6.4\text{mA}$. A stabilising/decoupling capacitor, C_{REF} ($4\mu\text{F}$), is required between pins 8 and 9. For internal reference operation $V_{REF OUT}$ (pin 8) is connected to $V_{REF IN}$ (pin 7).

Up to five ZN447's may be driven from one internal reference, there being no need to reduce

R_{REF} . This useful feature saves power and gives excellent gain tracking between the converters.

Alternatively the internal reference can be used as the reference voltage for other external circuits and can source or sink up to 3mA.

(b) External reference

If required an external reference voltage in the range +1.5 to +3V may be connected to $V_{REF IN}$. The slope resistance of such a reference source should be less than $\frac{2.5\Omega}{n}$, where n is the number of converters supplied.

ZN447 ZN448 ZN449

T.51-10.08

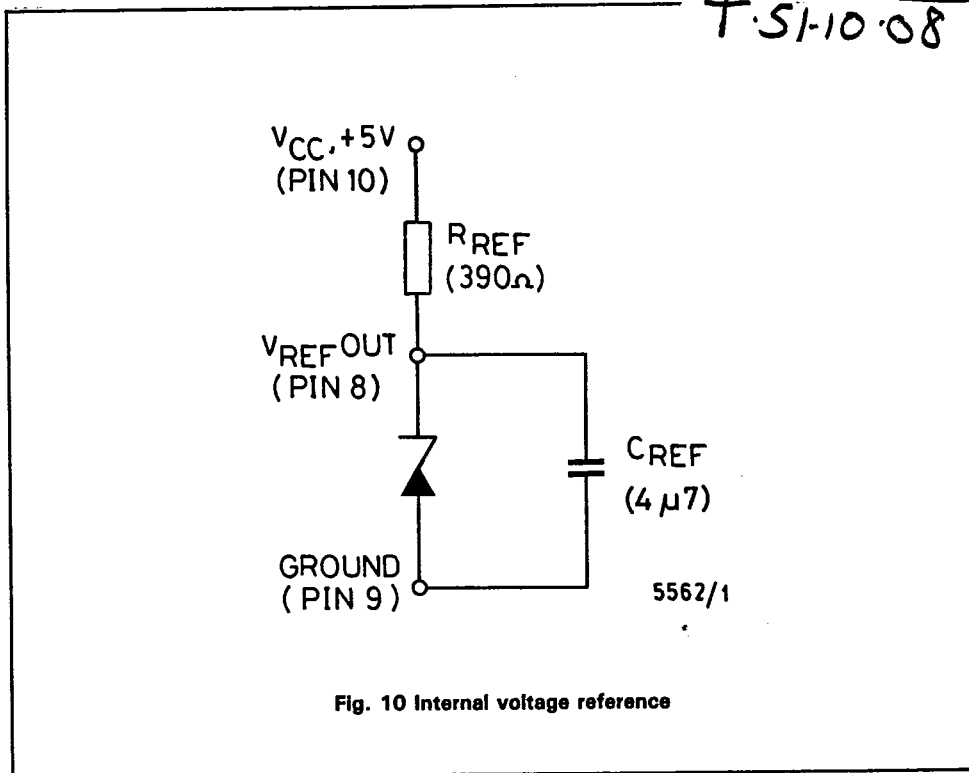


Fig. 10 Internal voltage reference

RATIOMETRIC OPERATION

If the output from a transducer varies with its supply then an external reference for the ZN447 should be derived from the same supply. The external reference can vary from +1.5 to +3V. The ZN447 will operate if $V_{REF IN}$ is less than +1.5V but reduced overdrive to the comparator will increase its delay and so the conversion time will need to be increased.

COMPARATOR

The ZN447 contains a fast comparator, the equivalent input circuit of which is shown in Fig. 11. A negative supply voltage is required to supply the tail current of the comparator. However as this is only 25 to 150 μA and need not be well stabilised it can be supplied by a simple diode pump circuit driven from the BUSY output.

3547860 FERRANTI ELECTRIC INC
 ZN447 ZN448 ZN449

95D 06064 D
 T-51-10-08

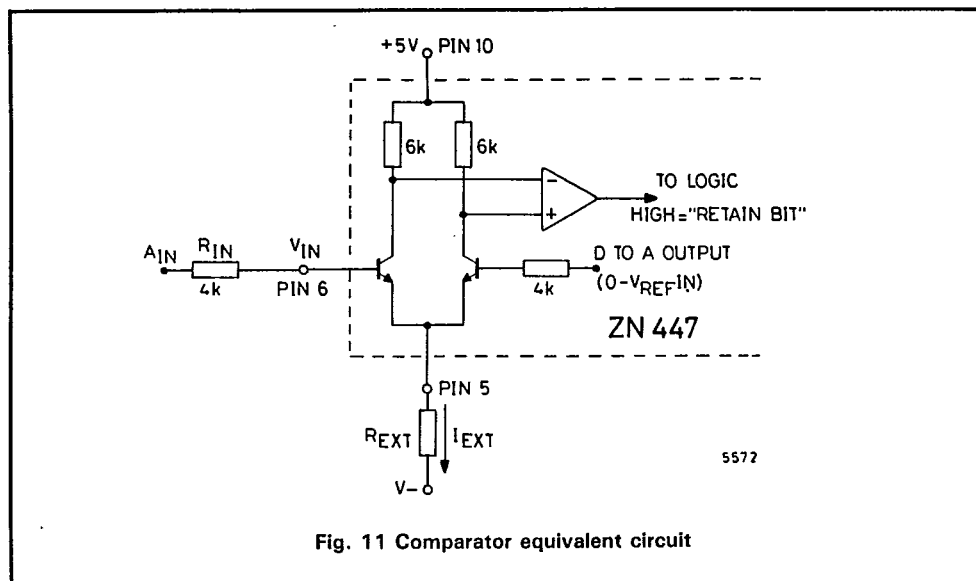


Fig. 11 Comparator equivalent circuit

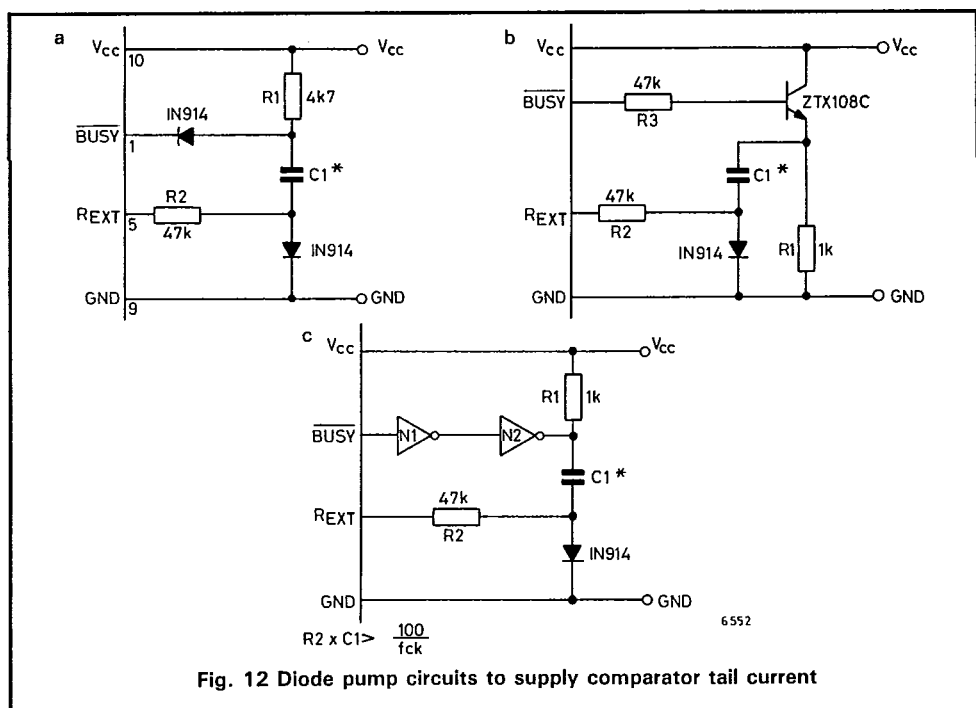


Fig. 12 Diode pump circuits to supply comparator tail current

3547860 FERRANTI ELECTRIC INC

95D 06065 D

T.SI-10-08

ZN447 ZN448 ZN449

Several suitable circuits are shown in Fig. 12. The principle of operation is the same in each case. Whilst the BUSY output is high, capacitor C1 is charged to about 4-4.5V. During a conversion the BUSY output goes low and the upper end of C1 is thus also pulled low. The lower end of C1 therefore applies about -4V to R2, thus providing the tail current for the comparator. The time constant R2.C1 is chosen according to the clock frequency so that droop of the capacitor voltage is not significant during a conversion.

The constraint on using this type of circuit is that C1 must be recharged whilst the BUSY output

is high. If the BUSY output is high for greater than one converter clock period then the circuit of Fig. 12a will suffice. If this is not the case, for example, in the continuous conversion mode, then the circuits of Figs. 12b and 12c are recommended, since these can pump more current into the capacitor.

Where several ZN447's are used in a system the self-oscillating diode pump circuit of Fig. 13 is recommended. Alternatively, if a negative supply is available in the system then this may be utilised. A list of suitable resistor values for different supply voltages is given in table 1.

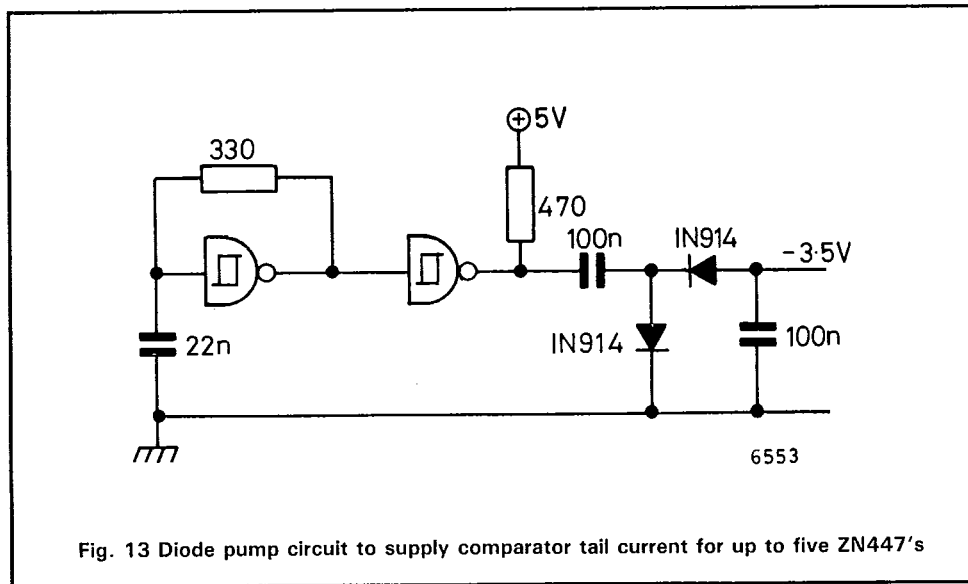


Fig. 13 Diode pump circuit to supply comparator tail current for up to five ZN447's

3547860 FERRANTI ELECTRIC INC

95D 06066 D

ZN447 ZN448 ZN449

T 51-10-08

Table 1

V- (volts)	R _{EXT} (kΩ)
3	47
5	82
10	150
12	180
15	220
20	330
25	390
30	470

ANALOGUE INPUT RANGES

The basic connection of the ZN447 shown in Fig. 14 has an analogue input range 0 to V_{REF IN} which, in some applications, may be made available from previous signal conditioning/ scaling circuits. Input voltage ranges greater than this are accommodated by providing an attenuator on the comparator input, whilst for smaller input ranges the signal must be amplified to a suitable level.

Bipolar input ranges are accommodated by off-setting the analogue input range so that the comparator always sees a positive input voltage.

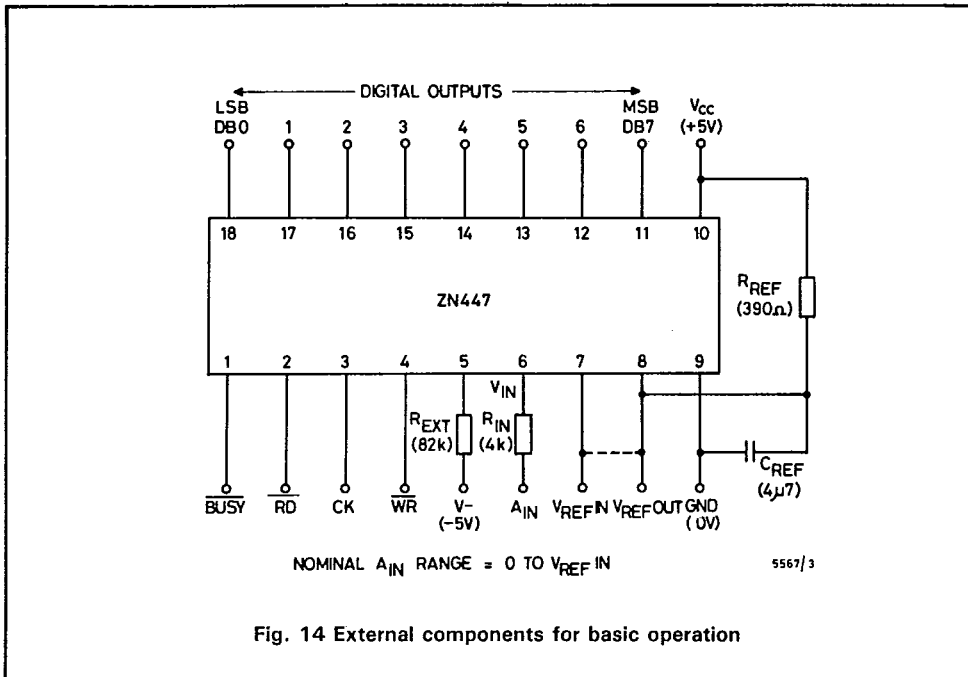


Fig. 14 External components for basic operation

3547860 FERRANTI ELECTRIC INC

95D 06067 D

T 51-10-08

ZN447 ZN448 ZN449

UNIPOLAR OPERATION

The general connection for unipolar operation is shown in Fig. 15.

The values of R_1 and R_2 are chosen so that $V_{IN} = V_{REF IN}$ when the Analogue Input (A_{IN}) is at full-scale.

The resulting full-scale range is given by

$$A_{IN FS} = (1 + \frac{R_1}{R_2}), V_{REF IN} = G \cdot V_{REF IN}$$

To match the ladder resistance R_1/R_2 (R_{IN}) = 4k.

The required nominal values of R_1 and R_2 are given by $R_1 = 4G k$, $R_2 = \frac{4G}{G-1} k$

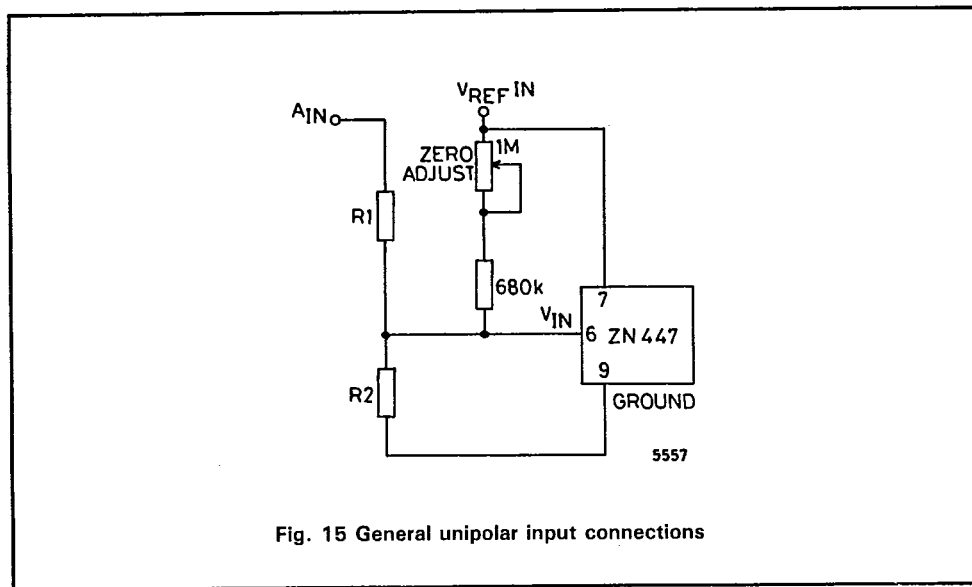


Fig. 15 General unipolar input connections

3547860 FERRANTI ELECTRIC INC

95D 06068 D

T-51-10-08

ZN447 ZN448 ZN449

Using these relationships a table of nominal values of R_1 and R_2 can be constructed for $V_{REF IN} = 2.5V$.

Input range	G	R_1	R_2
+ 5V	2	8k	8k
+ 10V	4	16k	5.33k

GAIN ADJUSTMENT

Due to tolerances in R_1 and R_2 , tolerances in V_{REF} and the gain (full-scale) error of the DAC, some adjustment should be incorporated into R_1 to calibrate the full-scale of the converter. When used with the internal reference and 2% resistors a preset capable of adjusting R_1 by at least $\pm 5\%$ of its nominal value is suggested.

ZERO ADJUSTMENT

Due to offsets in the DAC and comparator the zero (0 to 1) code transition would occur with typically 15mV applied to the comparator input, which corresponds to $1\frac{1}{2}$ LSB with a 2.56V reference.

Zero adjustment must therefore be provided to set the zero transition to its correct value of $+\frac{1}{2}$ LSB or 5mV with a 2.56V reference. This is achieved by applying an adjustable positive offset to the comparator input via P2 and R3. The values shown are suitable for all input ranges greater than $1\frac{1}{2}$ times $V_{REF IN}$.

Practical circuit values for + 5 and + 10V input ranges are given in Fig. 16, which incorporates both zero and gain adjustments.

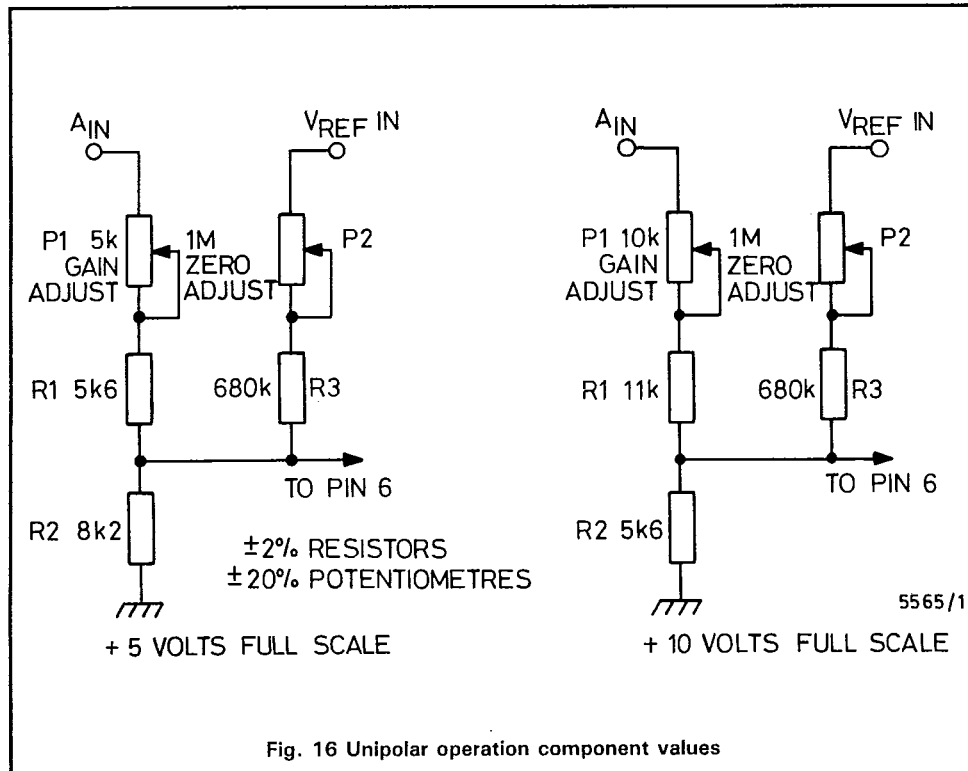


Fig. 16 Unipolar operation component values

3547860 FERRANTI ELECTRIC INC

95D 06069 D

ZN447 ZN448 ZN449

T-51-10-08

UNIPOLAR ADJUSTMENT PROCEDURE

- (i) Apply continuous convert pulses at intervals long enough to allow complete conversion and monitor the digital outputs.
- (ii) Apply full-scale minus 1 1/2 LSB to A_{IN} and adjust gain until bit 8 (LSB) output just flickers between 0 and 1 with all other bits at 1.
- (iii) Apply 1/2 LSB to A_{IN} and adjust zero until bit 8 just flickers between 0 and 1 with all other bits at 0.

UNIPOLAR SETTING UP POINTS

Input range, +FS	1/2 LSB	FS - 1 1/2 LSB
+ 5V	9.8mV	4.9707V
+ 10V	19.5mV	9.9414V

$$1\text{LSB} = \frac{\text{FS}}{256}$$

UNIPOLAR LOGIC CODING

Analogue input (A _{IN}) (Nominal code centre value)	Output code (Binary)
FS - 1LSB	11111111
FS - 2LSB	11111110
3/4 FS	11000000
1/2 FS + 1LSB	10000001
1/2 FS	10000000
1/2 FS - 1LSB	01111111
1/4 FS	01000000
1LSB	00000001
0	00000000

BIPOLAR OPERATION

For bipolar operation the input to the ZN447 is

offset by half full-scale by connecting a resistor R₃ between V_{REF IN} and V_{IN} (Fig. 17).

3547860 FERRANTI ELECTRIC INC

95D 06070 D

T 51-10 08

ZN447 ZN448 ZN449

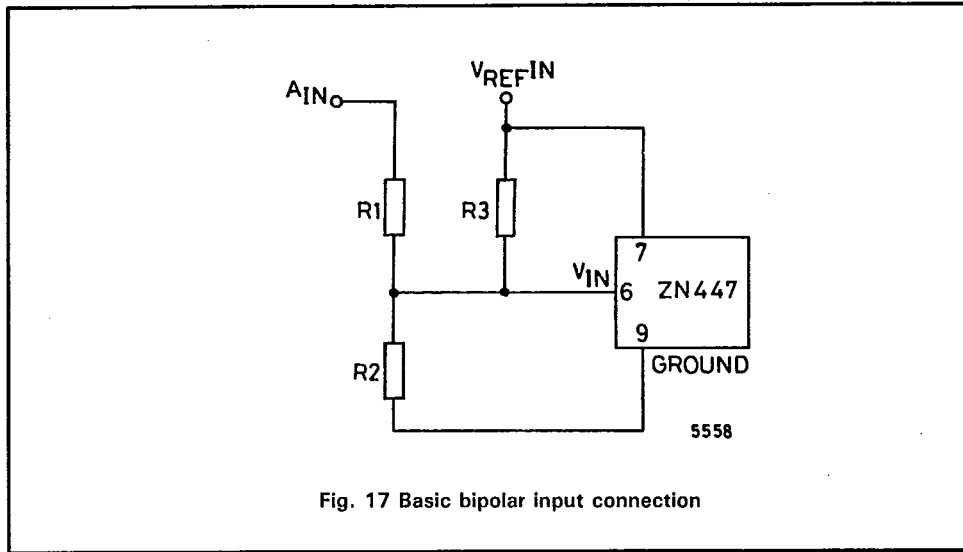


Fig. 17 Basic bipolar input connection

When $A_{IN} = -FS$, V_{IN} needs to be equal to zero.

When $A_{IN} = +FS$, V_{IN} needs to be equal to $V_{REF IN}$.

If full-scale range is $\pm G \cdot V_{REF IN}$ then $R_1 = (G - 1) \cdot R_2$ and $R_1 = G \cdot R_3$ fulfil the required conditions.

To match the ladder resistance, $R_1/R_2/R_3 (=R_{IN}) = 4k$.

Thus the nominal values of R_1, R_2, R_3 are given by $R_1 = 8 Gk, R_2 = 8G/(G - 1)k, R_3 = 8k$.

A bipolar range of $\pm V_{REF IN}$ (which corresponds to the basic unipolar range 0 to $+V_{REF IN}$) results if $R_1 = R_3 = 8k$ and $R_2 = \infty$.

Assuming that $V_{REF IN} = 2.5V$ the nominal values of resistors for ± 5 and $\pm 10V$ input ranges are given in the following table.

Input range	G	R_1	R_2	R_3
$\pm 5V$	2	16k	16k	8k
$\pm 10V$	4	32k	10.66k	8k

Minus full-scale (offset) is set by adjusting R_1 about its nominal value relative to R_3 . Plus full-scale (gain) is set by adjusting R_2 relative to R_1 .

Practical circuit realisations are given in Fig. 18.

ZN447 ZN448 ZN449

T-51-10-08

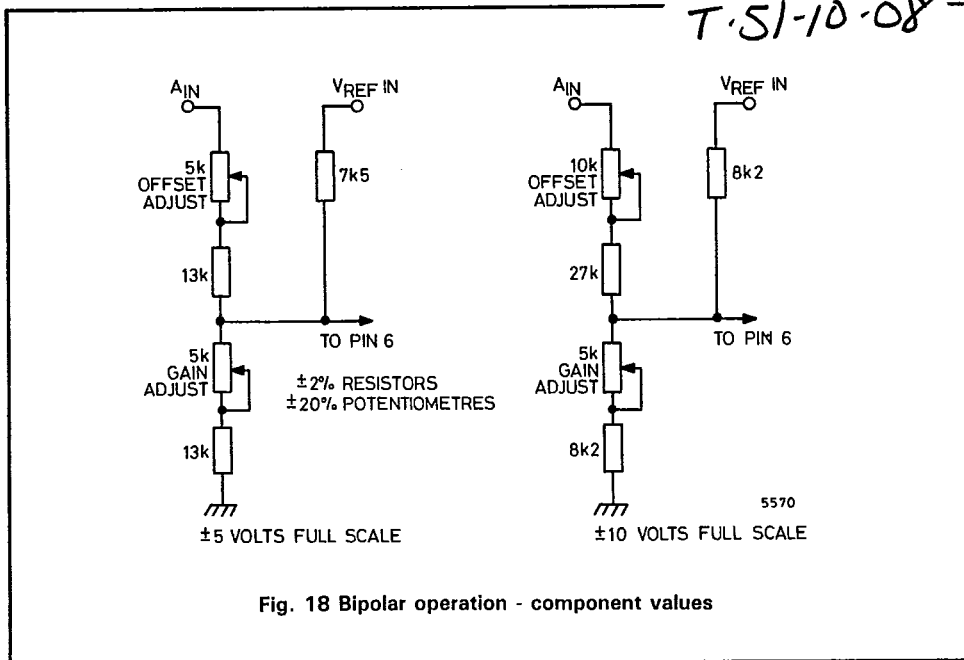


Fig. 18 Bipolar operation - component values

Note that in the $\pm 5V$ case R_3 has been chosen as 7.5k (instead of 8.2k) to obtain a more symmetrical range of adjustment using standard potentiometers.

BIPOLAR ADJUSTMENT PROCEDURE

(i) Apply continuous SC pulses at intervals long enough to allow a complete conversion and monitor the digital outputs.

(ii) Apply $-(FS - \frac{1}{2}LSB)$ to A_{IN} and adjust offset until the bit 8 (LSB) output just flickers between 0 and 1 with all other bits at 0.

(iii) Apply $+(FS - 1\frac{1}{2}LSB)$ to A_{IN} and adjust gain until bit 8 just flickers between 0 and 1 with all other bits at 1.

(iv) Repeat step (ii).

3547860 FERRANTI ELECTRIC INC

95D 06072 D

T-51-10-08

ZN447 ZN448 ZN449

BIPOLAR SETTING-UP POINTS

Input range, \pm FS	$-(FS - \frac{1}{2}LSB)$	$+(FS - \frac{1}{2}LSB)$
$\pm 5V$	-4.9805V	+4.9414V
$\pm 10V$	-9.9609V	+9.8828V

$$1LSB = \frac{2FS}{256}$$

BIPOLAR LOGIC CODING

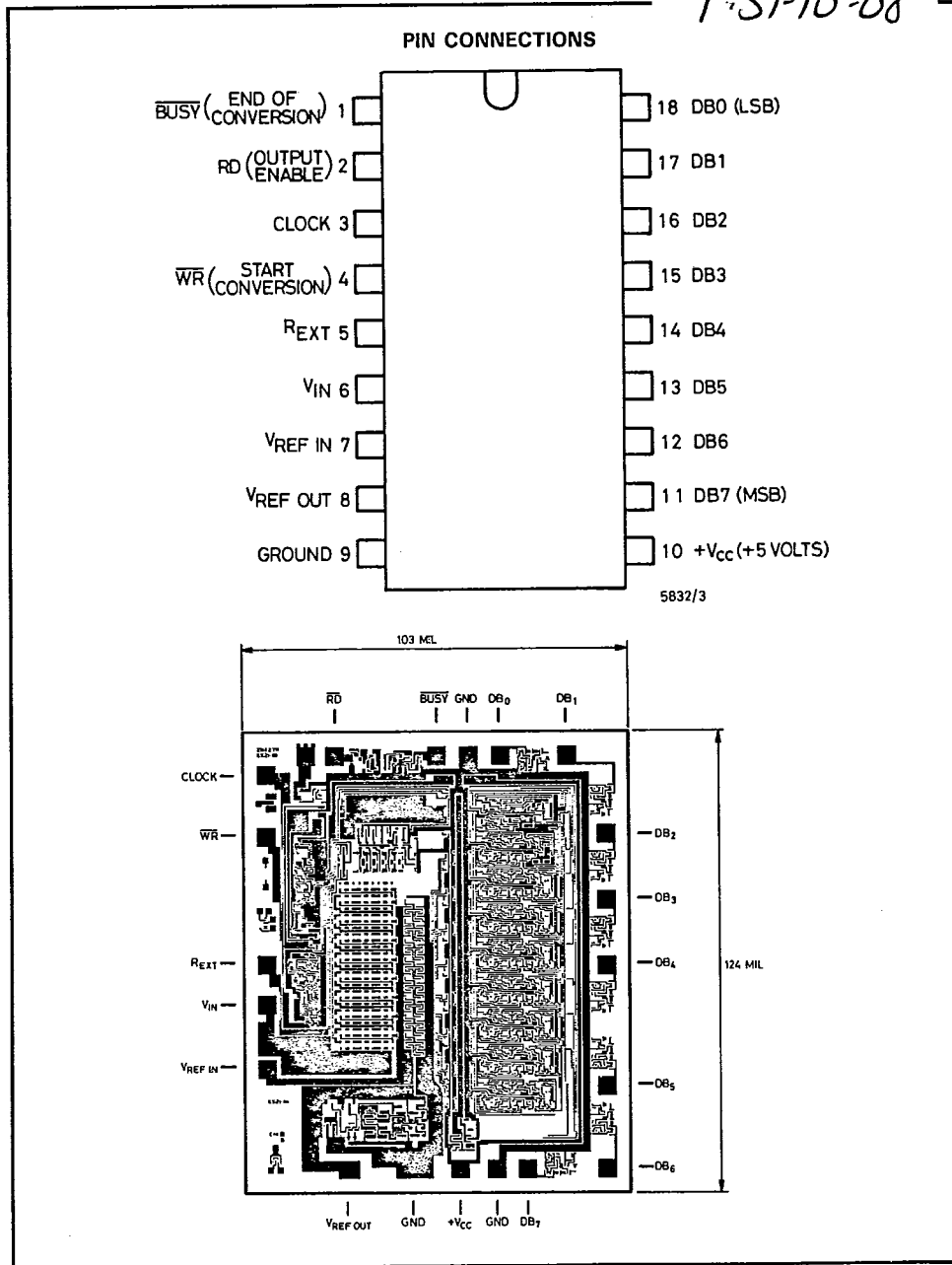
Analogue input (A_{IN}) (Nominal code centre value)	Output code (Offset binary)
$+(FS - 1LSB)$	11111111
$+(FS - 2LSB)$	11111110
$+\frac{1}{2}FS$	11000000
$+1LSB$	10000001
0	10000000
$-1LSB$	01111111
$-\frac{1}{2}FS$	01000000
$-(FS - 1LSB)$	00000001
$-FS$	00000000

3547860 FERRANTI ELECTRIC INC

95D 06073 D

ZN447 ZN448 ZN449

T-51-10-08



3547860 FERRANTI ELECTRIC INC

95D 06074 D

ZN447 ZN448 ZN449

T-51-10-08

ORDERING INFORMATION

Type	Linearity (LSB)	Operating temperature range	Package
ZN447E	0.3	0 to +70°C	Moulded
ZN447J	0.3	-55 to +125°C	Ceramic
ZN448E	½	0 to +70°C	Moulded
ZN448J	½	-55 to +125°C	Ceramic
ZN449E	1	0 to +70°C	Moulded
ZN449J	1	-55 to +125°C	Ceramic